



# RLED-355

## LED Range Lantern with MasterRange

Tideland's original RL-355 range lantern was developed for the US Coast Guard as a high intensity range lantern and has earned its spot as our most popular range lantern.

Our new development, RLED-355, is an LED version of the original lantern. Featuring MasterRange, RLED-355 provides exceptional performance over traditional incandescent lamps.

MasterRange is a versatile LED light panel that is used to upgrade RL-355 from existing incandescent lamp technology.

This new assembly not only eliminates traditional lampchangers, it also eliminates costly mirrors and does not require focusing.

MasterRange is available with multiple numbers of LEDs, from 2 to 15, allowing for a wide range of effective intensities, with ranges up to 24NM.

RLED-355  
fitted with spreader lens, MR-15 and  
optional hood



### RETROFITTING

RLED-355 is available complete or alternatively MasterRange is available as a conversion kit that can be retrofitted to existing RL-355s.

All control electronics, LEDs, LED drivers, LED lenses (not external spreader lenses), flashers, daylight control circuitry and mounting hardware are included in the conversion kit.

MasterRange LED panels are available in a range of assembly sizes and can be retrofitted to similar lanterns manufactured by companies other than Tideland Signal

### OPTIONAL EQUIPMENT

- Optional hood assembly helps keep lens clear of dirt and bird droppings.
- Optional Tideland GPS based system, to maintain flash synchronisation of two or more range lanterns.
- Optional dual power supply for MasterRange MR-2,4,6,8 and 10 lens (standard on MR-12 and 15).

### FEATURES

- Supports all marine signaling industry standards.
- Utilises 1/4 inch thick transparent acrylic lens.
- Spreader lenses are available for varied horizontal divergences.
- Constructed of corrosion resistant, marine grade materials.
- Reliable in the severest of environments.
- All IALA approved colours are available.
- Easy horizontal aiming and adjustment.
- External sunswitch.
- Full monitor and control access.

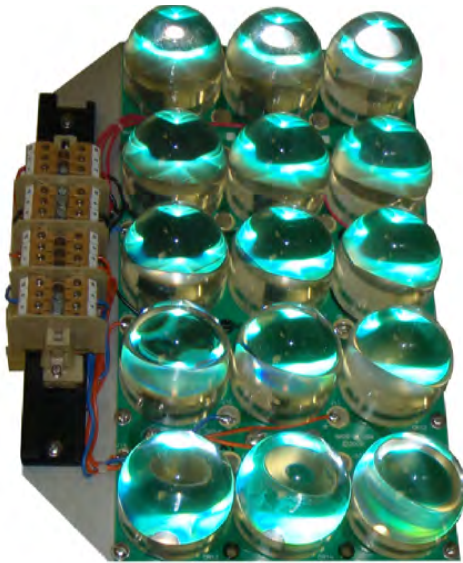
# SPECIFICATIONS

Applications	Leading light, short or long range; port traffic signal, night or day
Input Voltage	9 to 36VDC
Input Power	2 to 45W (depending on colour and number of LEDs)
Vertical Divergence	2 to 3.5° (depending on colour)
Horizontal Beam Spreaders	3°, 8°, 11°, 20° or 28°
Mounting	Built-in leveling hardware and rotational slip-ring mounting (3 bolt)
Height	520.7mm (20.5")
Weight with MR-15	19.2kg (42.3lb)
Light Colour	White, green, red, blue or yellow

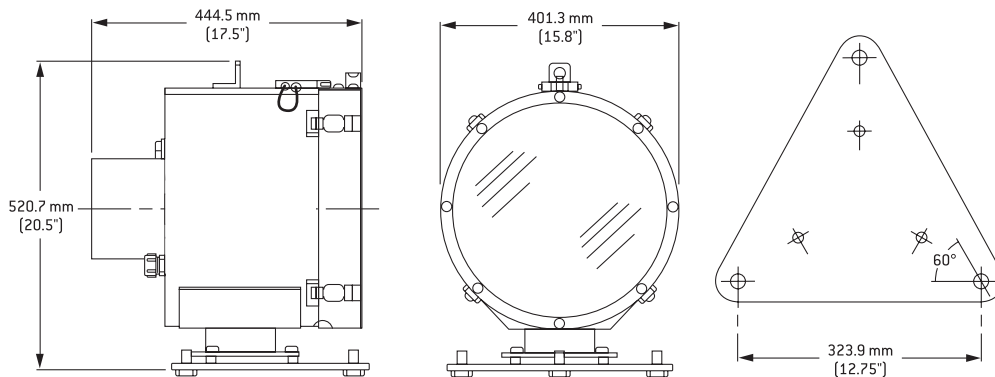
Note: Specifications are subject to change

## RLED-355 RANGE LIGHT

MasterRange in MR-15, MR-8 and MR-4 lens panel arrangements



### Dimensions And Mounting Pattern



**USA - HOUSTON**  
P: + 1 713 681 6101  
F: + 1 713 681 6233  
E: us-sales@tidelandsignal.com

**CANADA - DSS MARINE**  
P: + 844 843 3526  
F: + 613 680 7418  
E: canada-sales@tidelandsignal.com

**UK - BURGESS HILL**  
P: + 44 (0) 1444 872240  
F: + 44 (0) 1444 872241  
E: emea-sales@tidelandsignal.com

**UK - GT YARMOUTH**  
P: + 44 (0) 1493 441711  
F: + 44 (0) 1493 440322  
E: emea-sales@tidelandsignal.com

**UAE - DUBAI**  
P: + 971 (0) 4 885 5842  
F: + 971 (0) 4 885 7352  
E: emea-sales@tidelandsignal.com

**SINGAPORE**  
P: + 65 6333 0078  
F: + 65 6333 0079  
E: asia-sales@tidelandsignal.com

**CHINA**  
P: + 86 (0) 158 0223 7983 (primary)  
P: + 86 (0) 138 0101 4639  
E: asia-sales@tidelandsignal.com